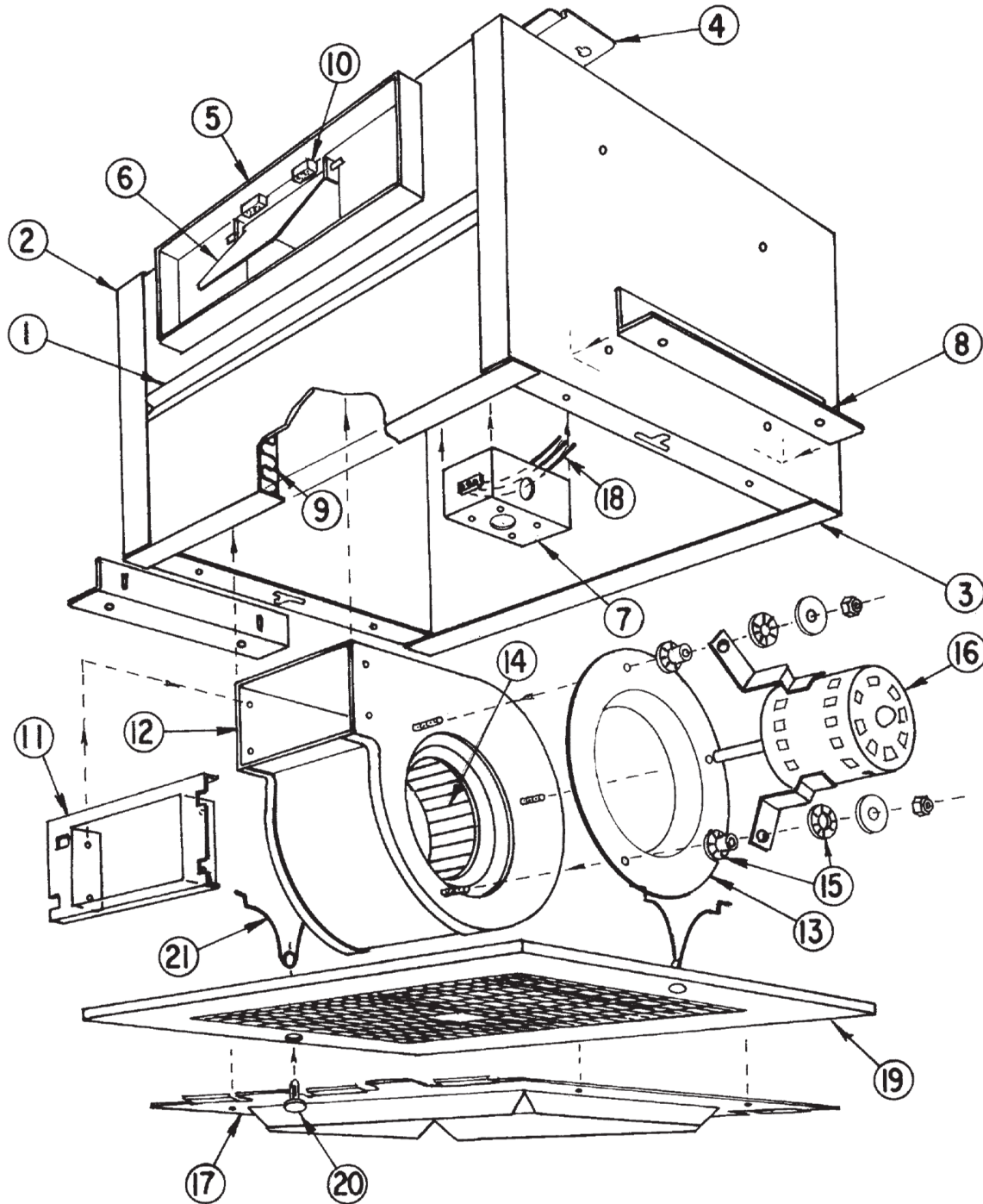


Models: Z3H(TDA), Z5H(TDA) and Z6S/H(TDA), Z8S/H(TDA), Z81S(TDA) and Z10S/H(TDA)



- | | | | |
|------------------------------|---|--|--|
| 1. Housing | 10. Damper Stop | 16. Motor | 22. Box Brace
(Double Blower Units) |
| 2. End | 11. Blower Bracket | 17. TDA Panel (Blank Off
Plate Not Shown) | 23. Motor Plate
(Double Blower Units) |
| 3. Access Panel | 12. Blower Housing
Assembly | 18. Wiring Assembly
(2 and 3 Lead Versions)
3M Connector | |
| 4. Wiring Box Cover Plate | 13. Inlet | 19. Grille | |
| 5. Duct Flange | 14. Wheel | 20. Grille Buttons | |
| 6. Damper Blade | 15. Grommets - 2 Parts:
Male and Female
(Single Blower Units) | 21. Grille Spring | |
| 7. Junction Box | | | |
| 8. Housing Bracket | | | |
| 9. Insulation: Parts A, B, C | | | |